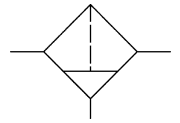




572.14



FES.G1250



Stainless steel filters containing no non-ferrous metals for use in the food processing, chemical, mining, plant construction and special machinery industries as well as in the medical technology.

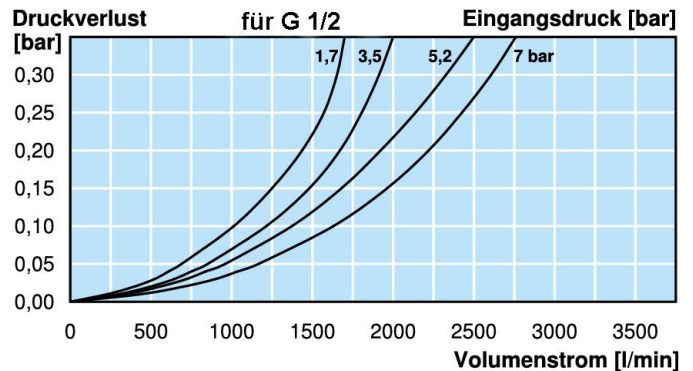
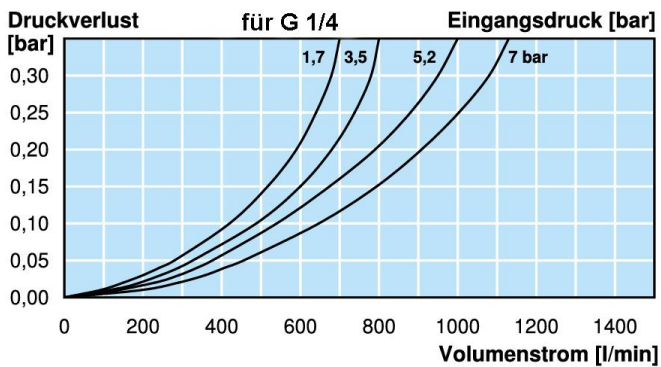
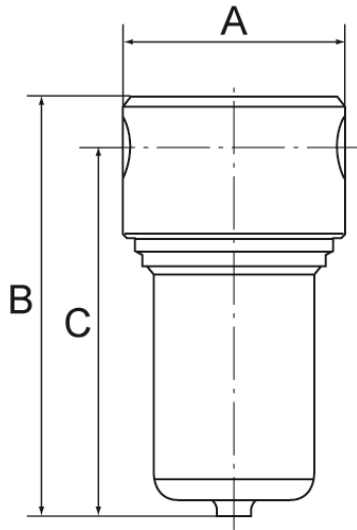
Max. input pressure	50 bar
Max. medium temperature	80 °C
Max. ambient temperature	80 °C
Housing	Stainless steel 1.4404 (AISI 316L)
Sealant	FKM
Condensate drain	Locking screw
Filter rating	50 µm
Flow rate measurement	at $P_1 = 7$ bar and pressure drop $\Delta p \leq 0,33$ bar

## Stainless steel filter

Art. No.	Type No.	Thread	Flow rate l/min	A mm	B mm	C mm
101211	572.14	G 1/4	900	64.0	140.0	125.0
129670	FES.G1250	G 1/2	2500	109.0	140.0	123.0

- With NPT threads available on request
- Other control ranges, temperature ranges and FDA approval available on request
- With filter element 5 µm available on request
- Important: This is not a sterile filter!
- With manual or fully automatic drain valve on request

Dimensions:



**Accessories / spare parts**

Art. No.	Type No.	Description
101215	576/5	Mounting bracket, stainless steel 1.4401 for G 1/4
101216	576/6	Mounting bracket, stainless steel 1.4401 for G 1/2
101213	22.5724.4	Set of wearing parts for G 1/4
129674	VTSFES.G12	Wear part set, stainless steel filter G 1/2